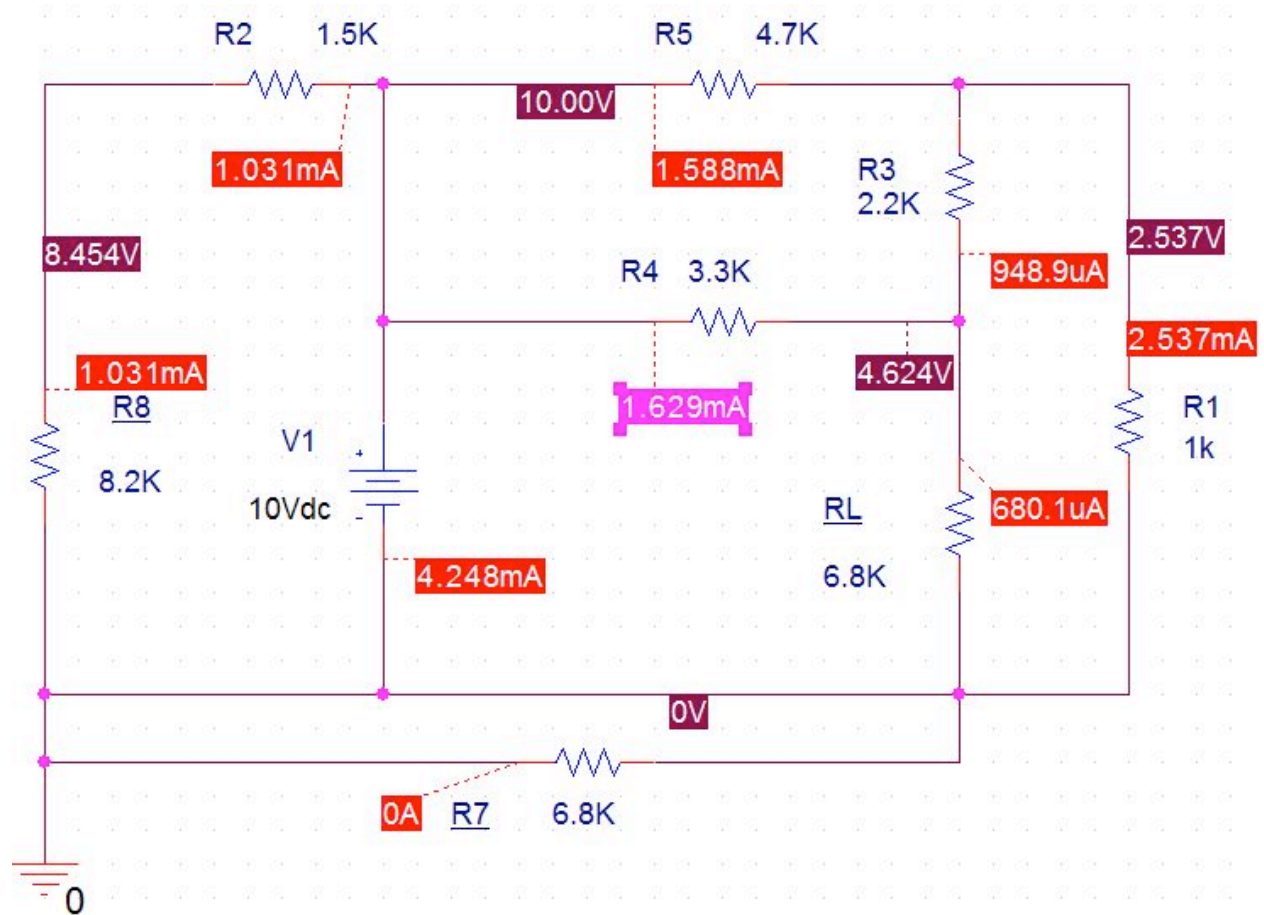


Resistors:

Red-Violet-Brown-Silver = 2.7K Ohms, 10%

Brown-Green-Green-Gold = 1.5M Ohms, 5%

Circuit measurements:



$$V_L = 4.624V$$

$$V_2 = 10.0V - 8.454V = 1.546V$$

$$V_3 = 2.537V - 4.624V = -2.097V \text{ (direction is implied by current arrow for } I_3)$$

$$V_4 = 10V - 4.624V = 5.376V$$

$$I_8 = 1.031mA$$

$$I_3 = -.949mA$$

Thevenin Voltage: + 5.698V Thevenin Resistance = $1V/633.7 \mu A = 1.579 \text{ K Ohms}$

